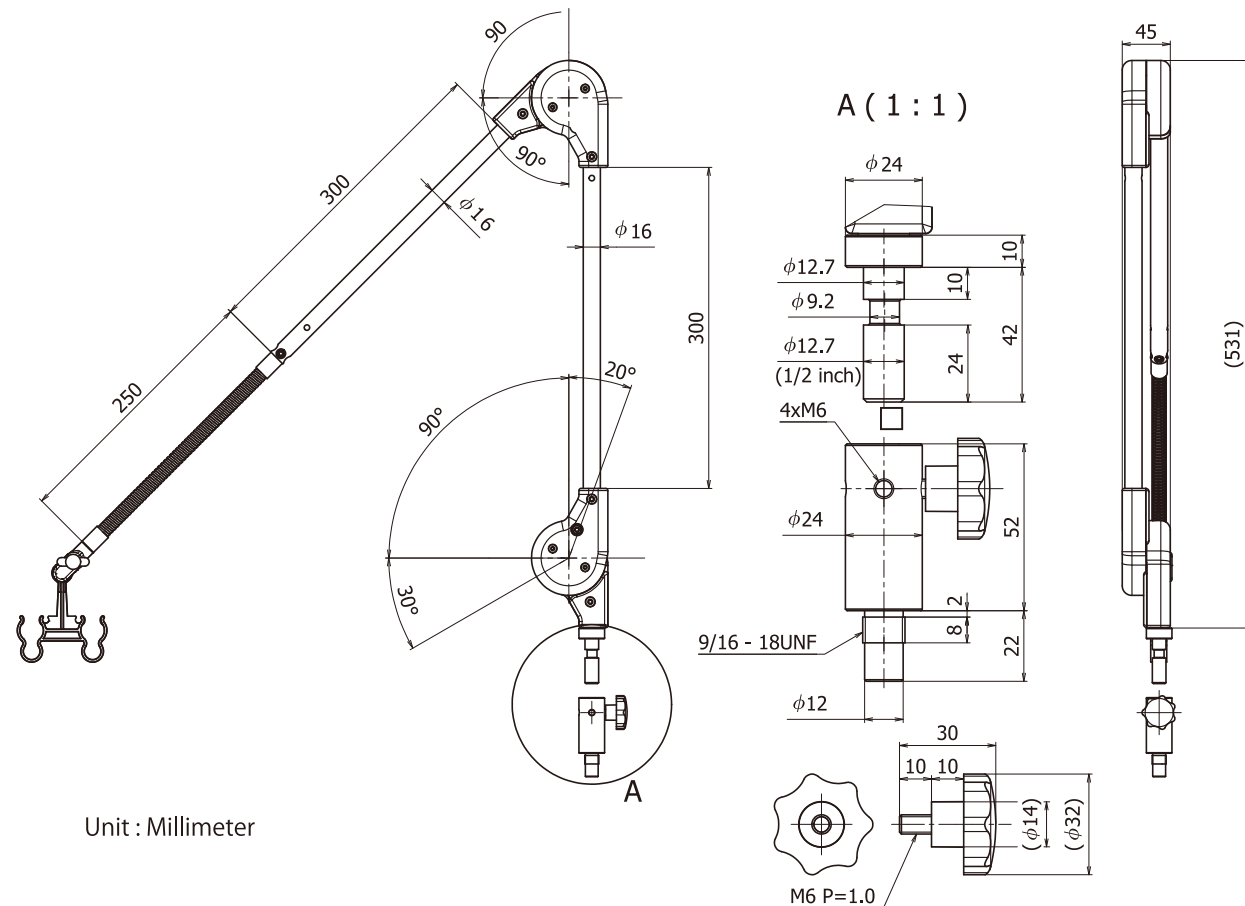


Product Specification

| | | |
|-----------------|--|--|
| Product Name | Support Arm | Storage Environment Conditions Temperature -20° ~+60° Related Humidity 30~85% Atmospheric Pressure 700~1060hPa |
| Product Number | SYC-08MF-1D2A | |
| Loading Weight | Until 0.5kg (1.102lb) | Operating Environment Conditions Temperature +10° ~+40° Related Humidity 30~85% Atmospheric Pressure 700~1060hPa (Non-condensing) |
| Operation Range | First Arm: 140 deg. Second Arm: 180deg. | |
| Life Cycle | 30,000 times (when load of 0.5kg mounted) | |
| Dimension | Refer to drawing as follows | |
| Weight | 1.8kg (3.968lb) (Including weight of shaft and hanger) | |

Drawing



Unit : Millimeter

Parts List

| No. | Part Name | No. | Part Name | No. | Part Name |
|-----|-----------------|-----|-------------------|-----|-----------|
| ① | Shaft | ⑥ | First arm | ⑪ | Hanger |
| ② | Arm fixing knob | ⑦ | Second arm | | |
| ③ | Base shaft | ⑧ | Flexible tube | | |
| ④ | First joint | ⑨ | Hanger mount | | |
| ⑤ | Second joint | ⑩ | Hanger mount knob | | |

Manufacturer:

SYWIND Co., Ltd.

3-17-14 Shinmeicho, Okaya City, Nagano, 394-0004 JAPAN.

Phone +81-266-55-5006 Fax +81-266-55-4474

URL : <http://www.sywind.com/>

USER' S MANUAL

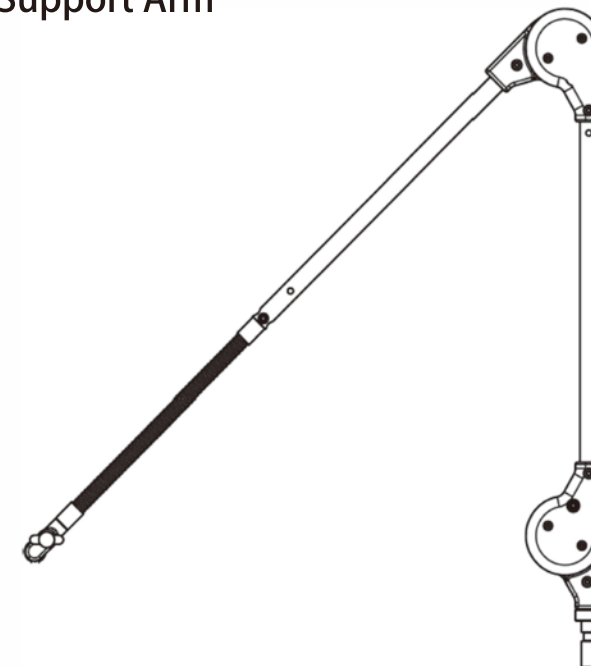
SUPPORT ARM SYC-08MF-1D2A

⚠ Precautions for use

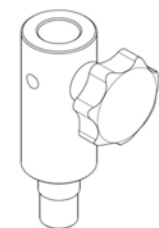
- Use and handling should be in accordance with the contents of this instruction manual.
- Use this product as an arm.
- Do not use this product for any purpose other than that described in the instruction manual.
- The specifications of the product are described in the instruction manual.
- Install this product correctly in the designated place.
- Install the product so that it does not fall down.
- Do not place anything around the place where this product is properly installed.
- Do not install in unstable places such as cloth, carpet, and soil etc.
- Store this product in a stable place in a well-ventilated room at room temperature and humidity.
- Keep this product out of reach of infants.
- When cleaning this product, wipe off dirt with a dry cloth.
- Do not use this product in hot and humid environments or in direct sunlight, as the product becomes hot.
- Do not drop, step on or throw this product as it is extremely dangerous.
- Do not put this product in a fire.
- Do not disassemble the product.
- When it is broken, contact to dealer.

Product configuration

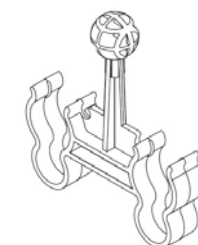
● Support Arm



● Shaft



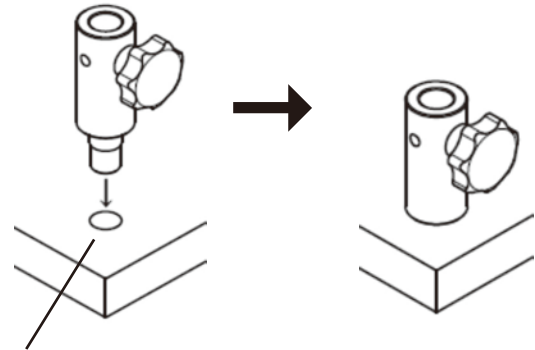
● Hanger



1. Mount the Shaft

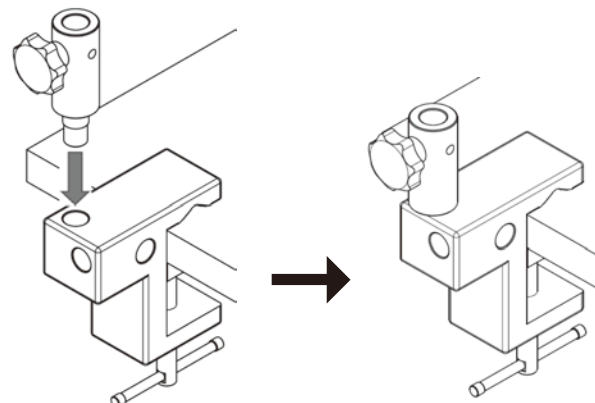
Screw the shaft into the mounting hole (9 / 16-18UNF) of the table (stand) or the hole of the clamp Y (option) or the clamp H (option) that has been set in advance.

Table (Stand)



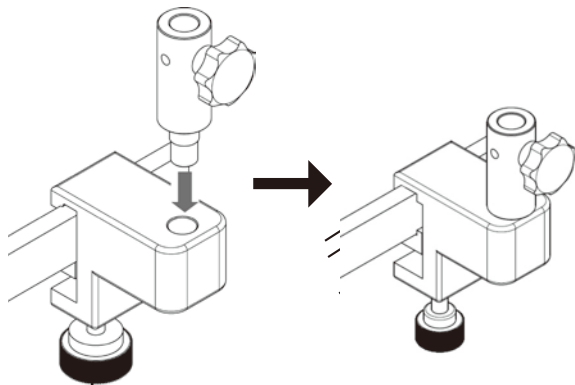
Mounting hole (9/16-18UNF)

Clamp Y (option)



Clamp Y

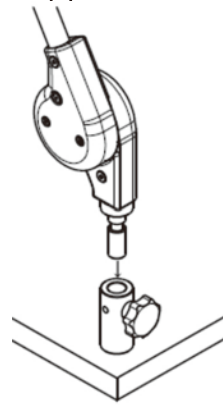
Clamp H (option)



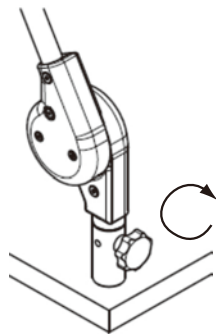
Clamp H

2. Install the Support Arm

Insert the support arm into the shaft hole.

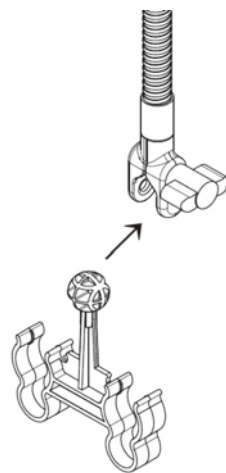


Tighten the knob on the shaft to secure the support arm.



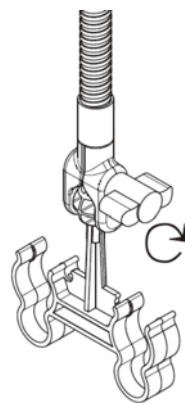
3. Attach the Hanger

Attach the hanger to the hanger mount at the tip of the support arm.



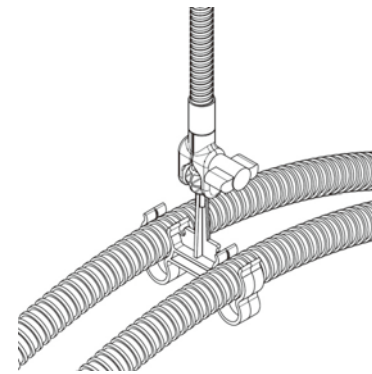
2. Install the Support Arm

Insert the support arm into the shaft hole.

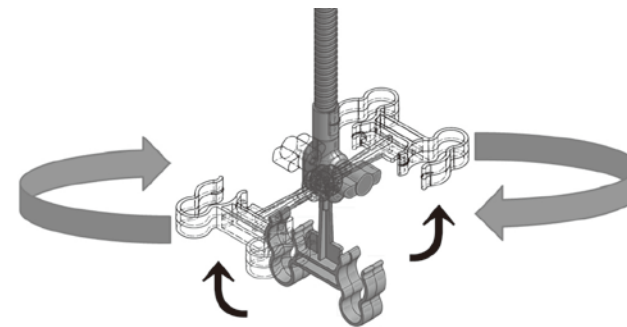


4. Insert the Hoses

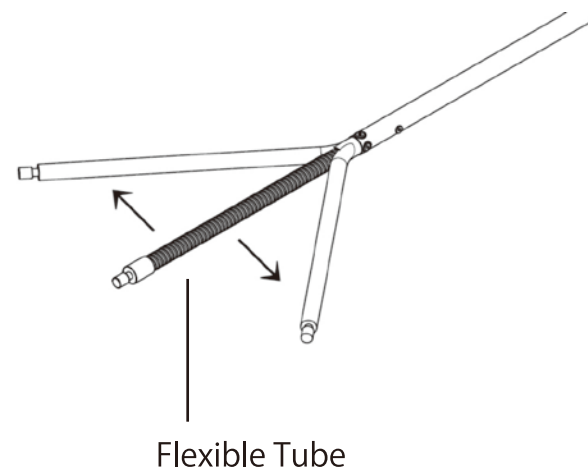
Insert the hoses to the hanger.



The position of the hanger can be freely adjusted and fixed.



* The flexible tube at the end of the support arm can be bent freely up, down, left and right.



Flexible Tube

5. Adjust the Angle of the Support Arm

The support arm can be freely adjusted and stopped.

